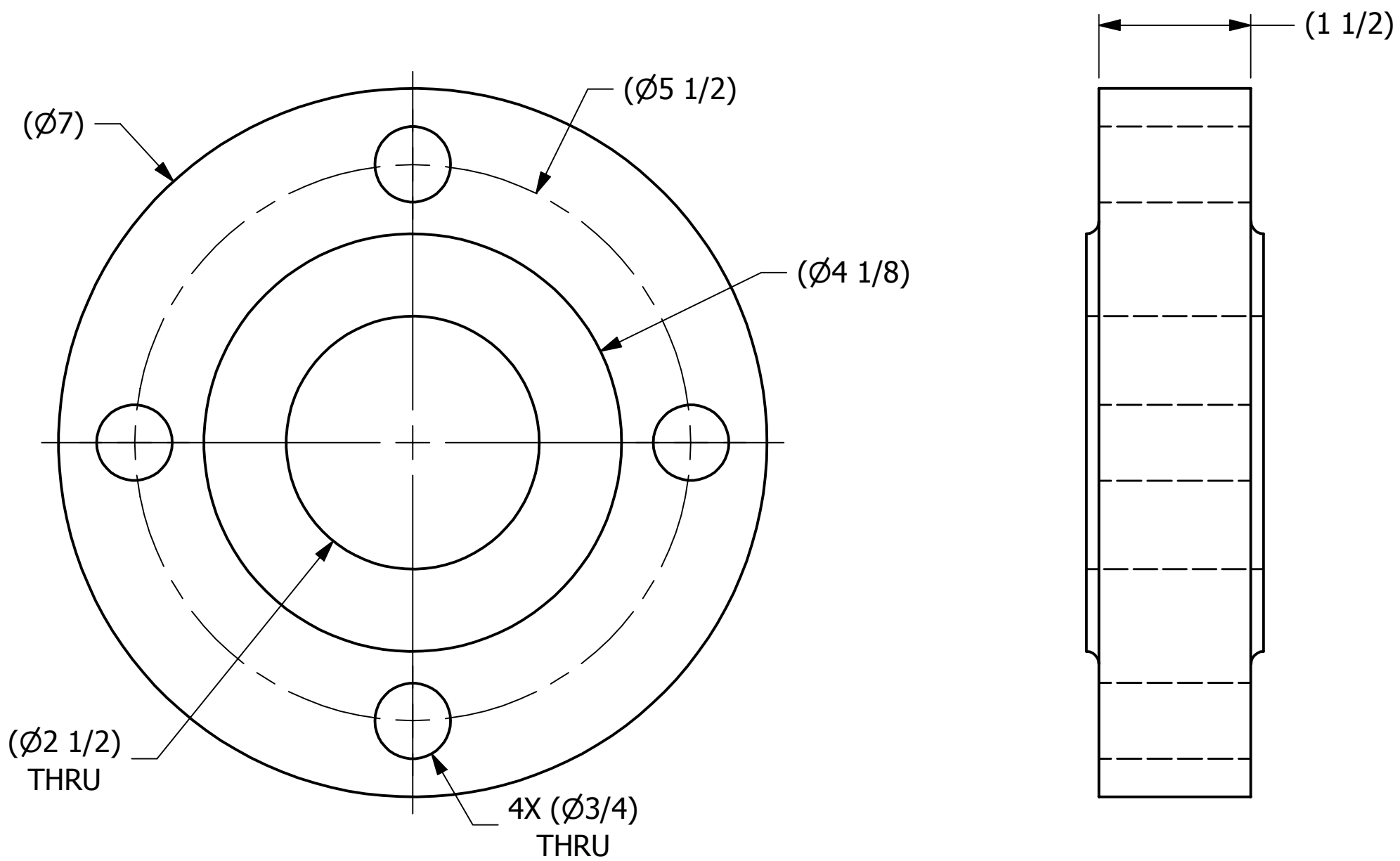



SALES DRAWING

SALES DRAWING



A	GDS	7-19-11	NEW DRAWING ADDED TO SYSTEM
REV	BY	DATE	DESCRIPTION
			
PART NAME: SIGHT GLASS FLANGE 2 1/2"			
MATERIAL: ACRYLITE GP			
PROJECT #: 031212AQ		SHEET #: 1 OF 1	SCALE: 3:4
DRAWING #: B30605		PART #: HS25SGFLA2	

<small>UNLESS OTHERWISE SPECIFIED DIMENSIONAL TOLERANCES</small> FRACTIONAL: ±1/16 X.XX: ±.03 X.XXX: ±.015 ANGULAR: ±1° <small>DEBURR ALL SHARP EDGES. ALL MACHINED SURFACES TO HAVE A 125 RMS FINISH UNLESS NOTED OTHERWISE.</small>	DRAWN BY:	REH
	CHECKED BY:	PJG
	PROTOTYPE BY:	REH
	PROTOTYPE DATE:	4/12/2008
	APPROVED FOR PRODUCTION BY:	PJG
THIRD ANGLE PROJECTION	PRODUCTION DATE:	7/19/2011

THIS PRINT, PROPERTY OF SALCO PRODUCTS INC., CONTAINS PROPRIETARY INFORMATION AND MUST NOT BE COPIED, REPRODUCED, OR USED DETRIMENTALLY TO OUR INTEREST.

B

B

A

A

4

3

2

1

4

3

2

1